

M12 MALE 90° / M12 FEMALE 90° SHIELDED

PUR 3X0.34 shielded GRAY, 2.0m

Male 90° – female 90°

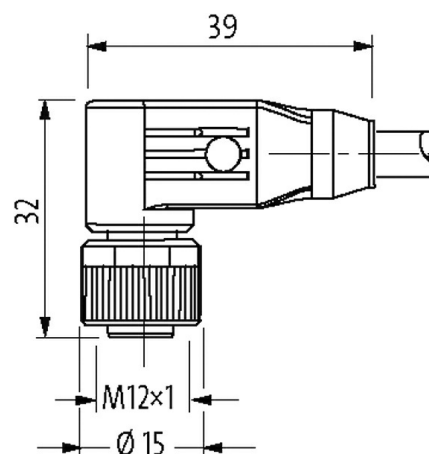
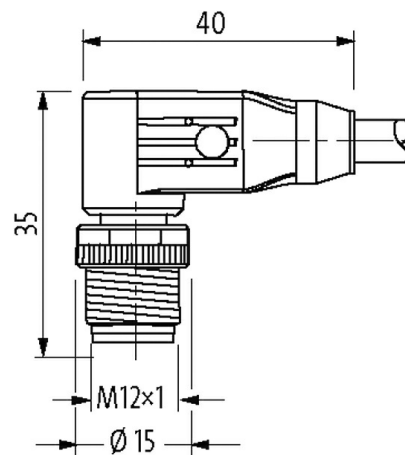
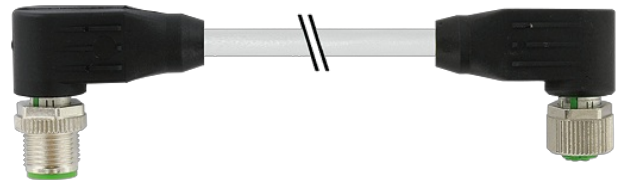
M12 – M12, 3-pole

shielded

Plastic housings with good resistance against chemicals and oils.

The resistance to aggressive media should be individually tested for your application. Further details on request.

Further cable lengths on request.

Illustration

Product may differ from Image

Approvals



EAC

Form

Form 40495

Cables

| | |
|----------------------------|-------------------------|
| Cable number | 318 |
| No./diameter of wires | 3× 0.34 mm ² |
| Wire isolation | PVC (br, bl, bk) |
| Jacket Color | gray |
| Material (jacket) | PUR/PVC |
| Outer Ø | 5.9 mm ±5% |
| Bend radius (fixed) | 10× outer Ø |
| Bend radius (moving) | 15× outer Ø |
| Temperature range (fixed) | -30...+80 °C |
| Temperature range (mobile) | -5...+70 °C |
| Shield | yes |
| Color (jacket) | gray |
| Approval (cable) | CE conform |

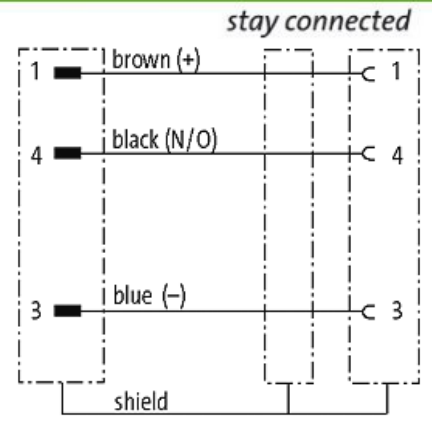
Technical Data

| | |
|-------------------------------|--|
| Operating voltage | max. 60 V AC/DC |
| Operating current per contact | max. 4 A |
| Locking of ports | Screw thread (M12×1 mm) recommended torque 0.6 Nm, self-securing |
| Locking material | Zinc die casting, matte nickel plated |
| Protection | IP66K, IP67 inserted and tightened (EN 60529) |

Commercial data

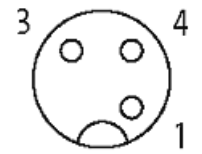
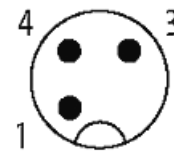
| | |
|-----------------------|---------------|
| country of origin | DE |
| customs tariff number | 85444290 |
| EAN | 4048879409247 |
| eClass | 27279218 |
| Packaging unit | 1 |

Sketch



Male

Female



Product may differ from Image